

ID SP

DEHUMIDIFIERS FOR SWIMMING POOLS AND INDUSTRY



The **ID** and **SP** range dehumidifiers are designed for use in high latent load environments requiring 24hrs/day operation. They are typically installed in environments such as public and private swimming pools, dairies, basements, ironing shops, curing cellars, warehouses and wherever a lack of humidity control can damage the structure or the product.

Technical sheet range ID - SP

0130 0160 0190 0210 0260 0300 0350 0450 0580

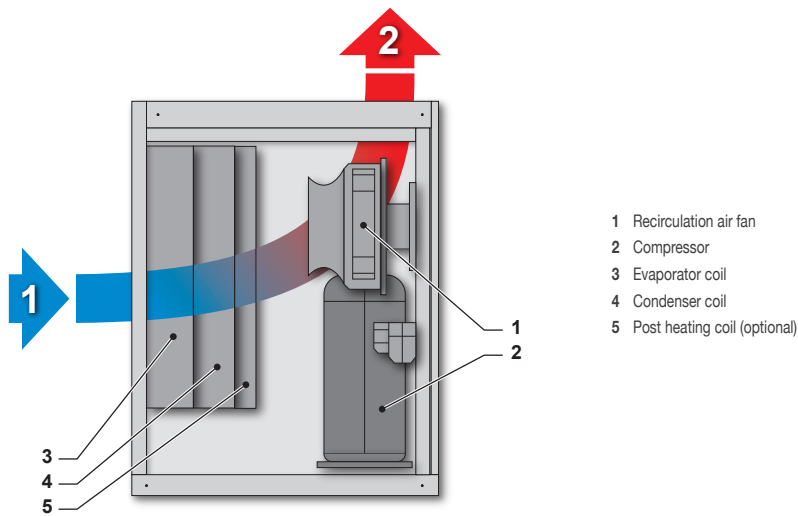
		0130	0160	0190	0210	0260	0300	0350	0450	0580
Dehumidifying capacity	L / day	128	157	190	210	268	302	358	452	581
Air flow rate	m³/h	1200	1600	1600	2000	2800	2800	3800	4000	4800
Hot water coil capacity	kW	9,8	9,8	9,8	16,5	17	17	26,5	26,5	27
Electrical heaters capacity	kW	4	5	5	6	6	6	6	11	11
Power supply	V/ph/Hz	----- 230/1/50 -----			----- 400/3/50 -----			-----		
Dimensions L X D X H	mm	---- 700 x 550 x 900 ----			---- 700 x 850 x 900 ----			---- 830 x 850 x 1350 ----		

Technical sheet range ID - SP

0750 0950 1100 1400 1500 1700 1900 2200 3000

		0750	0950	1100	1400	1500	1700	1900	2200	3000	
Dehumidifying capacity	L / day	760	955	1120	1380	1480	1710	1870	2180	2960	
Air flow rate	m³/h	7000	8200	11000	12500	13000	15000	15000	17000	25000	
Hot water coil capacity	kW	48	55	76	83	98	107	107	118	168	
Electrical heaters capacity	kW	22	22	36	43	43	54	54	54	87	
Power supply	V/ph/Hz	----- 400/3/50 -----					-----				
Dimensions L X D X H	mm	1000 x 1400 x 1350		- 1000 x 1950 x 1640		- 1000 x 2500 x 1640		- 1000 x 3390 x 1640			

All the values refer to the following conditions: Air temperature 30°C, Relative Humidity 80%, Water temperature 80/70°C



- 1 Recirculation air fan
- 2 Compressor
- 3 Evaporator coil
- 4 Condenser coil
- 5 Post heating coil (optional)

	STANDARD CONTROL	DEVELOPMENT CONTROL
Electronic radial fans	--	OPTIONAL
ACF: automatic control flow	--	OPTIONAL
High pressure centrifugal fans	OPTIONAL	OPTIONAL
Hot water reheat coil with valve	OPTIONAL	OPTIONAL
Desuperheater	OPTIONAL	OPTIONAL
Dirty filters sensor	OPTIONAL	OPTIONAL
Softstart	OPTIONAL	OPTIONAL
RS485 serial port	OPTIONAL	OPTIONAL
Filter holder frame for suction ducting	OPTIONAL	OPTIONAL
Clock card - time bands	--	OPTIONAL
Humidity sensor	--	OPTIONAL
Mechanical humidistat	OPTIONAL	--
CTI - Chrono-hygrothermostat	OPTIONAL	--
Hot gas defrosting	OPTIONAL	OPTIONAL
Remote wall terminal	--	OPTIONAL
Outdoor version	OPTIONAL	OPTIONAL
Manometers	OPTIONAL	OPTIONAL
Summer / Winter operating modes	--	OPTIONAL
Silent version	OPTIONAL	OPTIONAL
High efficiency air filters	OPTIONAL	OPTIONAL
Electrical heaters	OPTIONAL	OPTIONAL
More powerful electrical heaters	OPTIONAL	OPTIONAL
More powerful water coil for heat pump	OPTIONAL	OPTIONAL

